



AP-DOUBLE CELL/LTE~DOUBLE WIFI~GPS

The Perfect All-In-One Solution for your In-Vehicle Mobile Access Router



Available colors: Black or White

The AP-Double Cell/LTE~Double WiFi~GPS Antenna is the all-in-one, low profile housing that provides 2 high gain Multiple-In, Multiple-Out (MIMO) Cellular/LTE antennas, 2 high gain WiFi antennas (802.11 abgn,ac), and a GPS antenna. This can come with a threaded bolt mount, permanent adhesive mount or magnetic mount; color choices of black or white.

Key Benefits:

Faster Data Speeds. With the AP-Double Cell/LTE~Double WiFi~GPS Antenna, you will get superior Cellular/LTE data throughput speeds with the Multiple-In, Multiple-Out dual antennas. Our double Cellular/LTE antenna design takes advantage of the fastest speeds that the 4G/LTE network offers. Top WiFi speeds are achieved with our Double-WiFi antenna to off-load large amounts of data or to push software updates to your computer from your WiFi hotspot.

GNSS Location Technology: GPS just got better. When used with a GPS receiver with GNSS capabilities and dead reckoning, the GPS antenna can access 4 different satellite constellations (GPS, GLONASS, Galileo and Beidou), utilizing up to 48 satellites. This provides better accuracy, faster time to first fix to acquire a satellite, as well as superior coverage in rural areas as well as dense downtown urban zones with skyscrapers.

Airgain, Inc.

8350 E. Evans Road, Suite D-2, Scottsdale, AZ 85260
Phone: 480.657.7354 | Fax: 480.657.0204 | AP-orders@airgain.com

Copyright 2017 Airgain, Inc. : Version 6a (06/05/17)

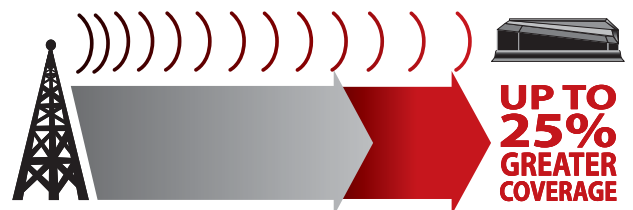
Bigger Wireless Footprint: By using AP-Double Cell/LTE~Double WiFi~GPS Antenna, you can be farther away from a cell site or WiFi hotspot and still connect; up to 25% more wireless coverage, depending on the geography you travel in.

One Simple Installation: All antennas are built into one physical housing so that you only have to drill one hole for a fast and tidy installation. This reduces the need for multiple antennas on top of the vehicle.

Long Product Life: Our rugged, low profile design gives you protection against all of the natural hazards a vehicle faces including vibration, hot, cold, ice, salt, dirt, car washes, and tree branch sweeps. Our antennas typically outlast the life of vehicle.

Connects to mobile data wireless routers with **TWO Cellular/LTE ports, TWO WiFi ports and a GPS port.**

Product	Cell/LTE Antenna	WiFi Antenna	GPS Antenna
AP-CCWWG	✓✓	✓✓	✓



AP-DOUBLE CELL/LTE~DOUBLE WIFI~GPS

Electrical Specifications

Frequencies:

Cellular/LTE = 698-2700 MHz
 (includes Band 14 LTE)
 WiFi = 2.4 & 5 GHz (802.11 a,b,g,n, ac)
 GPS = 1575.42 MHz - 1602 MHz

VSWR: 1.5:1 or less at resonant point

Gain: 698-890 MHz: 3 dBi;
 1710-2700 MHz: 4 dBi

Radiation Pattern:

OMNI Directional
 Hemispherical (GPS)

Polarization:

Vertical

Mechanical Specifications

Radome:

Glass Filled Polypropylene

Cable Length:

15 feet (4.5 m) (Adhesive and Bolt Mount)
 10 feet (3 m) (Magnet Mount)
 Optional cable length to 35 feet

Connectors:

The AP-Double Cell/LTE~Quad WiFi~GPS Antenna can come with any RF connectors you need to connect to your modem.

Environmental Specifications

RoHS Compliant

Temperature: - 40 °C to 85 °C (- 40 °F to +185 °F)
 operating and storage

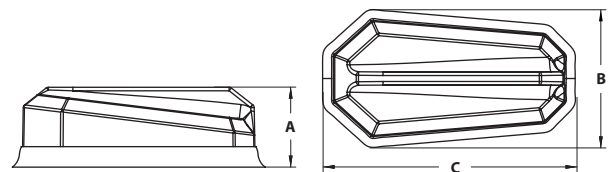
Humidity: (non-condensing) - 5% to 95%
 operating and storage

Military Spec MIL-STD 810 conformance to thermal, mechanical shock, and humidity.

GPS Antenna Specifications

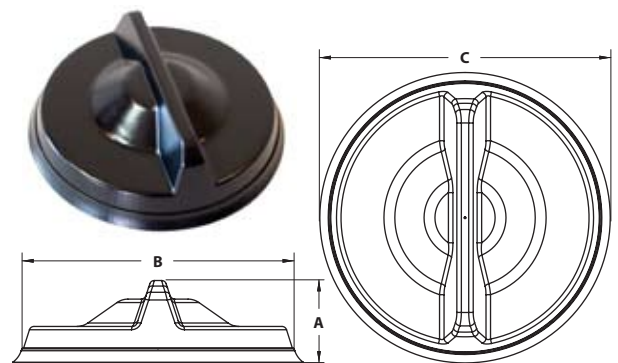
Frequency Range 1575.42 MHz - 1602 MHz
 Gain 28 dB min.
 Polarization R.H.C.P.
 (Right Hand Circular Polarization)
 Noise Figure 2.0 max.
 Aerial Ratio 3 dB max.
 Bandwidth 2 MHz min.
 VSWR 2.0 max.
 Output Impedance 50 Ohms
 Voltage 2.7-5.6 Volts
 Current 10 mA ± 0.8 mA

Dimensions



A	B	C
2.220" (56.4 mm)	3.831" (97.3 mm)	7.000" (177.8 mm)

Built-in Metal Ground Plane



A	B	C
2.183" (55.5 mm)	7.074" (179.7 mm)	7.650" (194.3 mm)

Mounting Styles

