



# AP-DOUBLE CELL/LTE

## The Perfect All-In-One Solution for your In-Vehicle Mobile Access Router



Available colors: Black  or White

**The AP-Double Cell/LTE Antenna** is the all-in-one, low profile housing that provides 2 high gain Multiple-In, Multiple-Out (MIMO) Cellular/LTE antennas. This can come with a threaded bolt mount, permanent adhesive mount or magnetic mount; color choices of black or white.

### Key Benefits:

**Faster Data Speeds.** With the AP-Double Cell/LTE Antenna, you will get superior Cellular/LTE data throughput speeds with the Multiple-In, Multiple-Out dual antennas. Our double Cellular/LTE antenna design takes advantage of the fastest speeds that the 4G/LTE network offers.

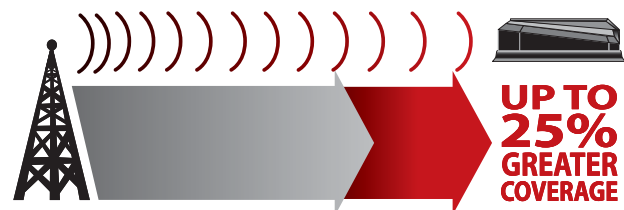
**Bigger Wireless Footprint:** By using the AP-Double Cell/LTE Antenna, you can be farther away from a cell site and still connect; up to 25% more wireless coverage, depending on the geography you travel in.

**One Simple Installation:** All antennas are built into one physical housing so that you only have to drill one hole for a fast and tidy installation. This reduces the need for multiple antennas on top of the vehicle.

**Long Product Life:** Our rugged, low profile design gives you protection against all of the natural hazards a vehicle faces including vibration, hot, cold, ice, salt, dirt, car washes, and tree branch sweeps. Our antennas typically outlast the life of vehicle.

**Connects to mobile data wireless routers with TWO Cellular/LTE ports.**

Product	Cell/LTE Antenna	WiFi Antenna	GPS Antenna
AP-CC	✓✓		



### Airgain, Inc.

8350 E. Evans Road, Suite D-2, Scottsdale, AZ 85260  
Phone: 480.657.7354 | Fax: 480.657.0204 | AP-orders@airgain.com

Copyright 2017 Airgain, Inc. : Version 6a (06/05/17)



# AP-DOUBLE CELL/LTE

## Electrical Specifications

### Frequencies:

Cellular/LTE = 698-2700 MHz  
(includes Band 14 LTE)

**VSWR:** 1.5:1 or less at resonant point

**Gain:** 698-890 MHz: 3 dBi;  
1710-2700 MHz: 4 dBi

### Radiation Pattern:

OMNI Directional

### Polarization:

Vertical

## Mechanical Specifications

### Radome:

Glass Filled Polypropylene

### Cable Length:

15 feet (4.5 m) (Adhesive and Bolt Mount)  
10 feet (3 m) (Magnet Mount)  
Optional cable length to 35 feet

### Connectors:

The AP-Double Cell/LTE Antenna can come with any RF connectors you need to connect to your modem.

## Environmental Specifications

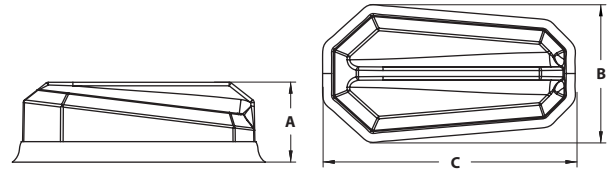
### RoHS Compliant

**Temperature:** - 40 °C to 85 °C (- 40 °F to +185 °F)  
operating and storage

**Humidity:** (non-condensing) - 5% to 95%  
operating and storage

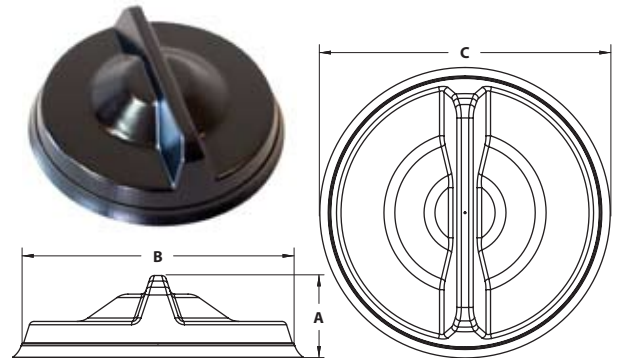
**Military Spec** MIL-STD 810 conformance to thermal,  
mechanical shock, and humidity.

## Dimensions



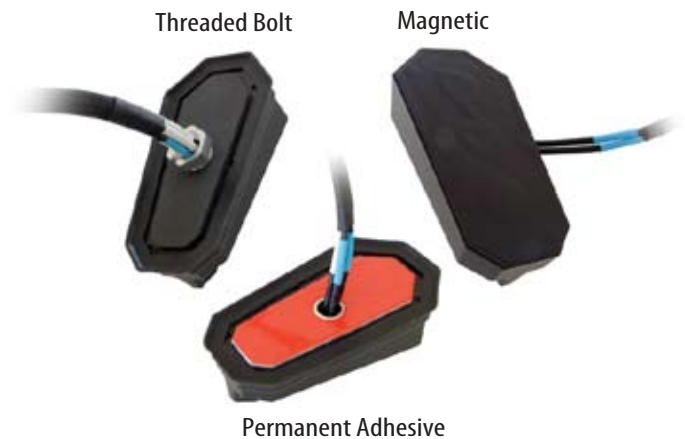
A	B	C
2.220" (56.4 mm)	3.831" (97.3 mm)	7.000" (177.8 mm)

## Built-in Metal Ground Plane



A	B	C
2.183" (55.5 mm)	7.074" (179.7 mm)	7.650" (194.3 mm)

## Mounting Styles



### Airgain, Inc.

8350 E. Evans Road, Suite D-2, Scottsdale, AZ 85260

Phone: 480.657.7354 | Fax: 480.657.0204 | AP-orders@airgain.com

Copyright 2017 Airgain, Inc. : Version 6a (06/05/17)

