



NetCloud Services for Branch



ARC CBA550 Spec Sheet



Cradlepoint ARC CBA550 LTE Adapter is sold as part of an all-inclusive branch networking package.

NetCloud Packages for Branch include:

- An LTE Adapter tailored for branch networking
- A NetCloud Service Plan tailored for branch networking and set for a specific term
- 24x7 support and limited lifetime warranty

What to Buy

Description	Part Numbers
North America (U.S., Canada)	
— NetCloud Essentials for Branch LTE Adapters with CBA550-150M-D	BBx-0550150M-N0N

x = 1, 3, or 5 years

NetCloud Essentials packages and plans contain all the features and capabilities required. Essentials packages include 24x7 Support (Phone Support: 24 hour weekdays with Emergency response on weekends, Web: 24x7, Chat: 24x5) and a Limited Lifetime Warranty.

See additional details of what is included in the NetCloud Essentials software: cradlepoint.com/netcloud-manager

What's in the Box

- CBA550 with embedded 150M multi-carrier modem with SIM-based Auto-Carrier Selection
- Universal LTE antennas, Part # 170761-000
- Ethernet cable
- Mounting hardware
- Warranty information
- Information on how to get started with your product

Key Features with NetCloud Service

WAN

- 150M-D: 150/50 Mbps DL/UL FDD LTE w/HSPA+ Failback
- Advanced Modem Failure Check
- IP Passthrough
- Standby

LAN

- VLAN 802.1Q
- DHCP Server, Client, Relay
- DNS and DNS Proxy
- DynDNS
- UPnP
- DMZ
- MAC Address Filtering

Management

- Cradlepoint NetCloud Manager
- Web UI, API, CLI, SSH
- Data Usage Alerts
- Device Alerts
- SNMP
- SMS control

Routing

- Routing Rules
- NAT-less Routing
- Virtual Server/Port Forwarding
- IPv6

Security

- RADIUS and TACACS+ support*
- 802.1x authentication for Ethernet
- ALGs
- MAC Address Filtering

- Advanced Security Mode (local user management only)
- Per-Client Web Filtering
- IP Filtering
- Content Filtering (basic)
- Website Filtering

*-Native support for authentication. Authorization and accounting support through hotspot/captive portal services.

Hardware Specifications

WAN:

- Embedded 150M Category 4, LTE modem

LAN:

- One LAN 10/100 Ethernet port

TEMPERATURE:

- 0 °C to 50 °C (32 °F to 122 °F) operating
- -20 °C to 70 °C (-4 °F to 158 °F) storage

HUMIDITY (non-condensing):

- 10% to 90% operating
- 5% to 95% storage

POWER:

- 802.3af (15 W) PoE only

SIZE: 3.9 × 3.9 × 1.3 in (100 × 100 × 34 mm)

HOUSING:

- White plastic, locking compatible
- Wall or desk

CERTIFICATIONS:

- FCC, CE, IC
- Safety: UL/CUL/CB Scheme
- Materials: WEEE, RoHS, RoHS-2, California Prop 65

Accessories

- White, Universal 600MHz-6GHz 3G/4G/LTE 2dBi/3dBi 6" antenna with SMA connector (1x) Part #170761-000

See the [Cradlepoint Certified Antennas for Fixed Sites](#) for more information about antennas. Also see the [Antenna Ordering and Installation Guide](#), also available in the Resources section of antenna and router product pages.

Enterprise-Class Modem Specifications

ARC CBA550-150M-D LTE HSPA+ for North America (U.S., Canada)

ARC CBA550-150M-D model include an embedded LTE Category 4 LTE modem. The 150M modems support SIM-Based Auto-Carrier selection. Simply insert the SIM and wait for the router to automatically detect the SIM and establish a connection.

- Technology: LTE Cat 4 (3GPP Rel 11), DC-HSPA+
- Downlink Rates: LTE 150 Mbps, HSPA+ 42.2 Mbps*
- Uplink Rates: LTE 50 Mbps, HSPA+ 5.76 Mbps*
- Frequency Bands:
 - LTE: Band 2 (1900 MHz), Band 4 - AWS (1700/2100 MHz), Band 5 (850 MHz), Band 12 (700 MHz), Band 13 (700 MHz), Band 14 (700 MHz), Band 66 - AWS 3 (1700/2100 MHz), Band 71 (600 MHz)
 - WCDMA/HSPA+/UMTS: Band 2, Band 4, Band 5
- Power: LTE 23 dBm \pm 1; HSPA+ 23 dBm \pm 1; (typical conducted)
- Antennas: Two SMA male (plug). The recommended maximum torque is 4 inch-pounds (4 in-lbs).
- Industry Standards & Certs: FCC, IC, PTCRB, AT&T, FirstNet Ready™, Verizon
- SIM: Two 2FF slots
- The CBA550-150M-D is certified on public safety networks North America (U.S., Canada)

Support & Warranty

The CBA550 is only sold as a component of NetCloud Packages.

Cradlepoint's all-inclusive NetCloud Service Plan includes limited lifetime hardware warranty and global 24x7 enterprise-class support (phone support: 24-hour weekdays with emergency response on weekends; web: 24x7, chat: 24x5).

Learn more at cradlepoint.com/support-services

Safety, Regulatory & Warranty Guide

<https://customer.cradlepoint.com/s/article/Safety-Regulatory-and-Warranty-Guide-for-CBA550-Series-Routers>

**Theoretical*

FirstNet and FirstNet Ready are registered trademarks and service marks of the First Responder Network Authority, an independent authority within the U.S. Department of Commerce.

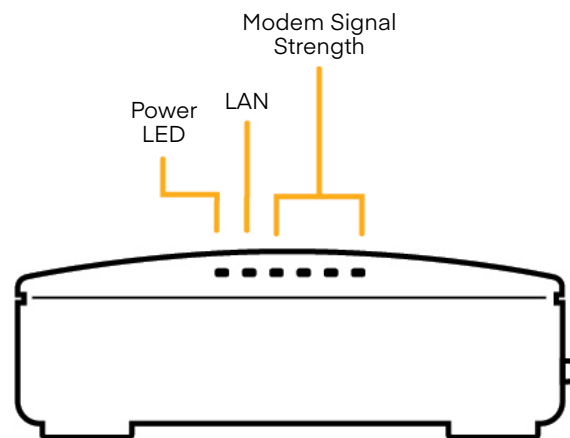
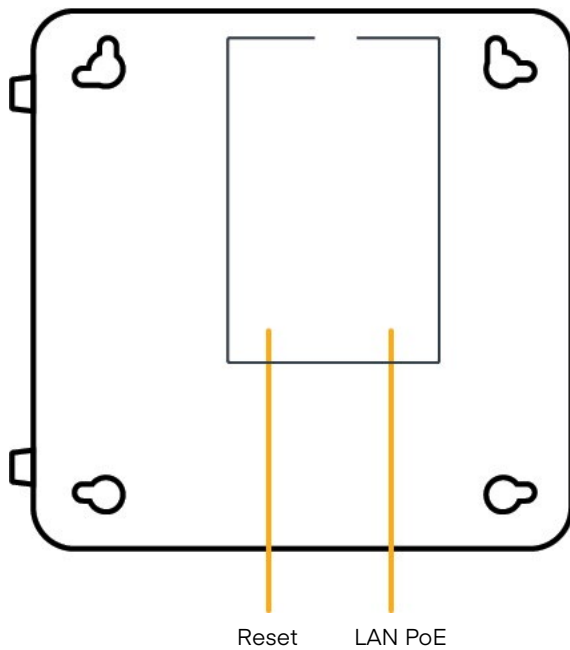
Hardware

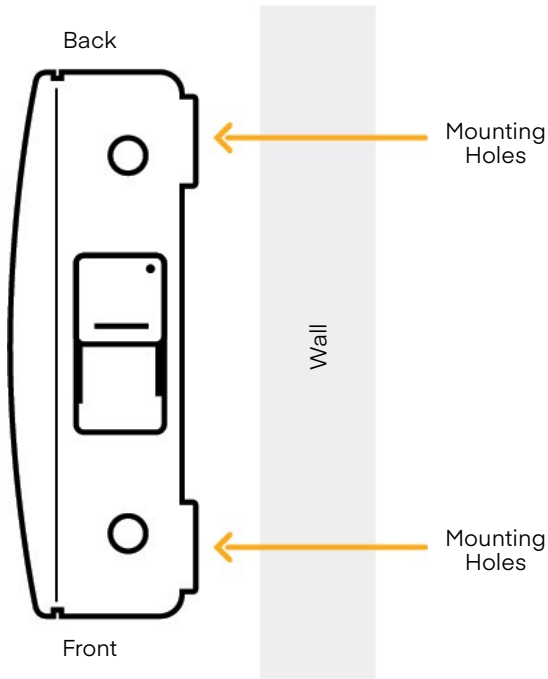
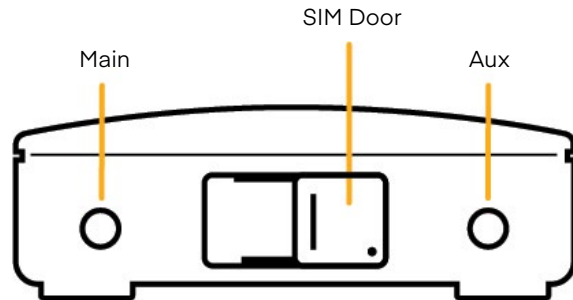
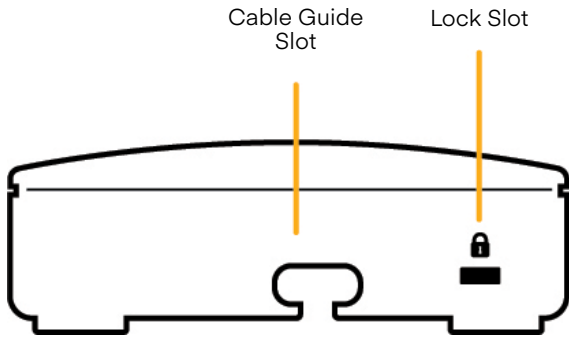
Bottom View

Side View

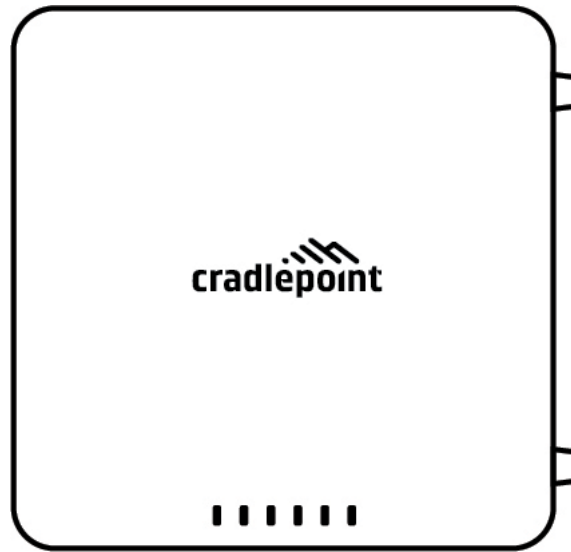
Side View

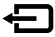

LEDs





Top View



INDICATOR	BEHAVIOR
<p>On top of router</p>	<p>POWER The Cradlepoint CBA550 must be powered by PoE.</p> <ul style="list-style-type: none"> — Blue = Powered ON: 4G. — Green = Powered ON: 3G. — Amber = Attention. — No Light = Not receiving power. Check the power switch and the power source connection.
	<p>INTEGRATED MODEM Indicates information about the integrated modem.</p> <ul style="list-style-type: none"> — Green = Modem has established an active connection. — Blinking Green = Modem is connecting. — Amber = Modem is not active. — Blinking Amber = Data connection error. No modem connection possible. — Blinking Red = Modem is in the process of resetting.
	<p>SIGNAL STRENGTH Blue LED bars indicate the active modem's signal strength.</p> <ul style="list-style-type: none"> — 4 Solid Bars = Strongest signal. — 1 Blinking Bar = Weakest signal. (A blinking bar indicates half of a bar.)